

RTM-03

EFFECTIVE NOTIFICATION

RTM-03 Recall Module

The RTM-03 is a Panel Mount recall receiver designed to allow easy integration with a wide variety of appliances, lawn and garden equipment and a variety of tools and equipment.

The RTM-03 combines a ReadyTrace RT-0708 Data Receiver, an antenna, and a light emitting diode to deliver a reliable, easy to integrate recall receiver.

The RTM-03 also includes an infrared receiver enabling serialization by means of an infrared serial interface.

EASY INTEGRATION

SELF-CONTAINED MODULE

PANEL MOUNT

12 VDC AND 120 VAC MODELS

IN-PRODUCT PROGRAMMABLE

SUNLIGHT VISIBLE DISPLAY



READYTRACE

PRODUCT CENTRIC NOTIFICATION

RECALL ALERTS

MAINTENANCE NOTICES

ENSURES CUSTOMER PRIVACY

NATIONWIDE COVERAGE

REACHES 99.5% OF US POPULATION

CONTINENTAL UNITED STATES

ALASKA & HAWAII

MOST POPULATED REGIONS OF CANADA

REDUCED PRODUCT LIABILITY COSTS

**ALMOST INSTANT USER NOTICES CAN
PREVENT INJURIES IN THE FIRST PLACE**

HIGH RECALL EFFICACY

ELIMINATES NEGATIVE PUBLICITY

EVIDENTIARY SUPPORT

RECORDS WHEN MESSAGE IS RECEIVED

RECORDS WHEN USER ACKNOWLEDGES

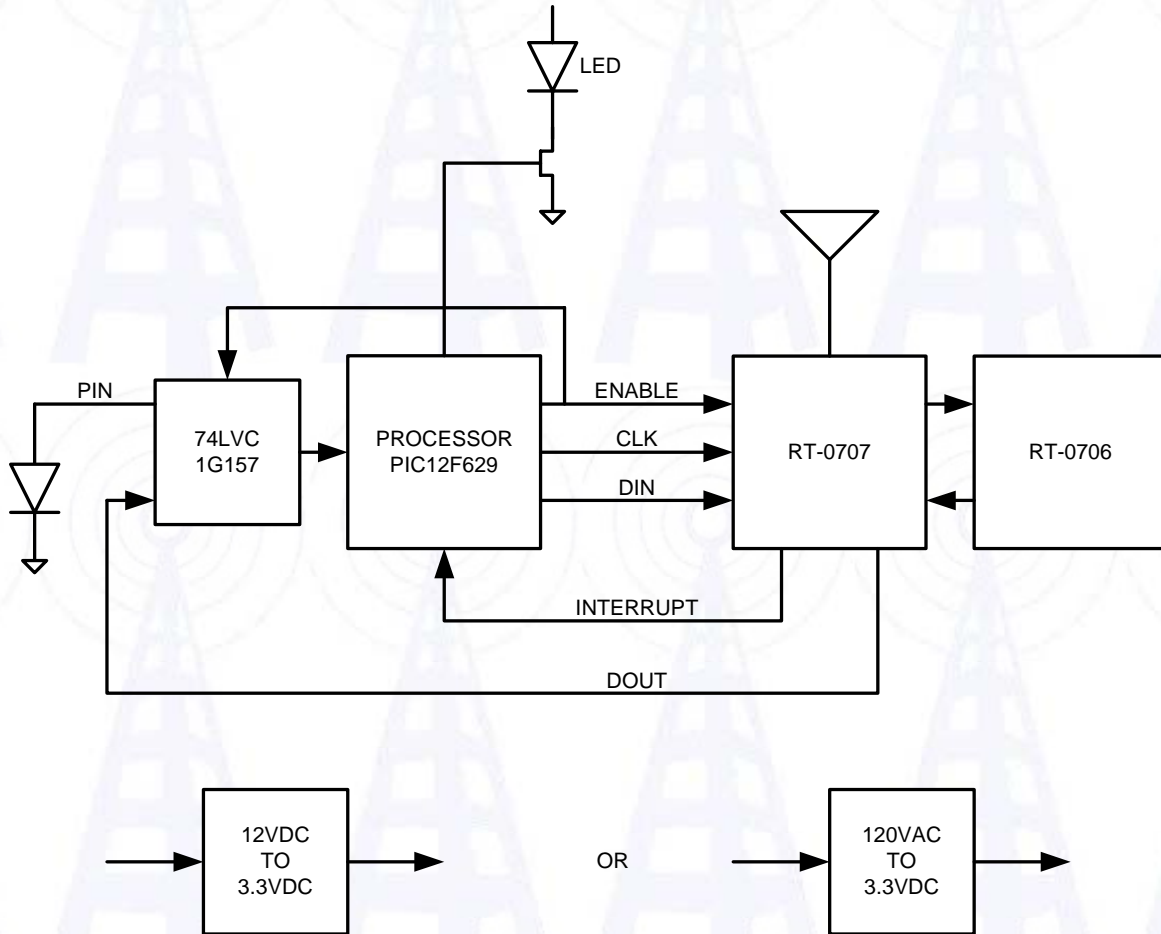
COURTROOM READABLE

Phone: 909-631-2965
E-mail: info@readytrace.com
www.readytrace.com

ReadyTrace, Inc.
14175 Telephone Ave.
Suite L
Chino, CA 91710



RTM-03 BLOCK DIAGRAM



RTM-03

Recall Module

The RT-0708 is ReadyTrace's first generation receiver chip. The RTM-03 includes a PIC12F629 microcomputer. The PIC microcomputer includes EEPROM for storing a product serial number that is compared each time a recall signal is received.

The PIC microcomputer controls channel scanning and locks the RT-0708 Data Receiver onto one of 28 Clear Channel Radio broadcast stations that collectively form the ReadyTrace Signaling System.

The RTM-03 is panel mounted by two 6-32 machine screws in panels up to 0.100" thick. Integration is simple because the RTM-03 includes an antenna and the host device only needs to provide either 12 VDC or 120 VAC power.

**NATIONWIDE SIGNALING PROVIDED BY
CLEAR CHANNEL RADIO, INC.**

 **CLEAR CHANNEL**
RADIO