



RT-0707

RF FRONT END FOR RSS RECEIVERS

ANTENNA TUNNER

LOW NOISE AMPLIFIER

FREQUENCY SYNTHESIZER

DOWN-CONVERTING MIXER

15 dB AMPLIFIER

DIGITAL DEMODULATOR

ANALOG TO DIGITAL (A/D) CONVERTER

16 HZ DIGITAL FILTER

MSK DEMODULATOR

RSS FRAME CAPTURE

DATA FRAMER

REGISTER FILE

FEC DECODER

HOST PROCESSOR INTERFACE

SERIAL INTERFACE

INTERRUPT ON RECEIVED DATA FRAME

3.3 V LOGIC LEVELS

NATIONWIDE COVERAGE

SERVICED BY READYTRACE SYSTEM

CONUS, ALASKA & HAWAII

RT-0707

RSS Data Receiver

The RT-0707, when used in conjunction with the RT-0706 programmable amplifier chip, forms a two-chip solution for receiving data from the ReadyTrace Signaling System (RSS).

The RT-0707 provides on-chip antenna tuning capabilities and also demodulates the ReadyTrace signal that is transmitted on host AM broadcast transmitters.

The RT-0706 companion chip provides high resolution programmable amplification enabling the two-chip receiver to sense AM radio broadcasts less than 500 microvolts per meter in field strength.

Products incorporating the RT-0707 in conjunction with the RT-0706 can be immediately contacted by manufacturers.

EFFECTIVE NOTIFICATION

EASY INTEGRATION

TWO-CHIP SUPER-HETERODYNE RECEIVER WHEN USED WITH RT-0706

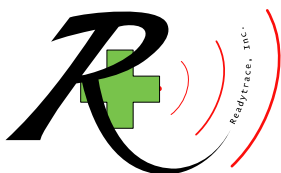
ON-CHIP ANTENNA TUNING CIRCUIT

LOW NOISE ANTENNA AMPLIFIER

ULTRA-STABLE PLL

COMPACT QFN PACKAGE

SIMPLE 4-WIRE SERIAL INTERFACE

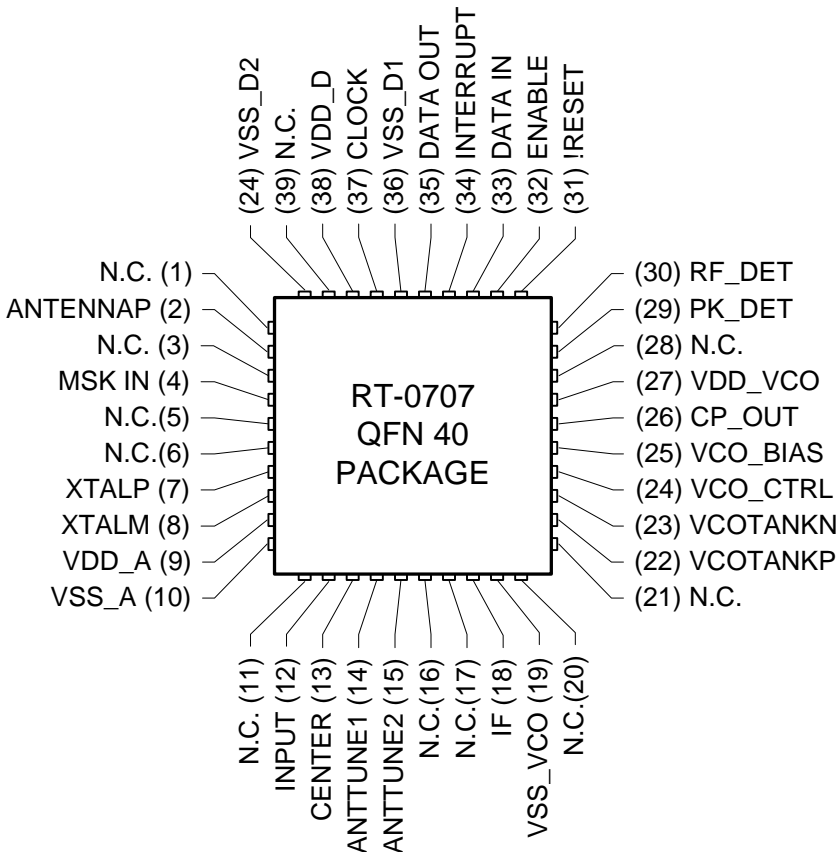
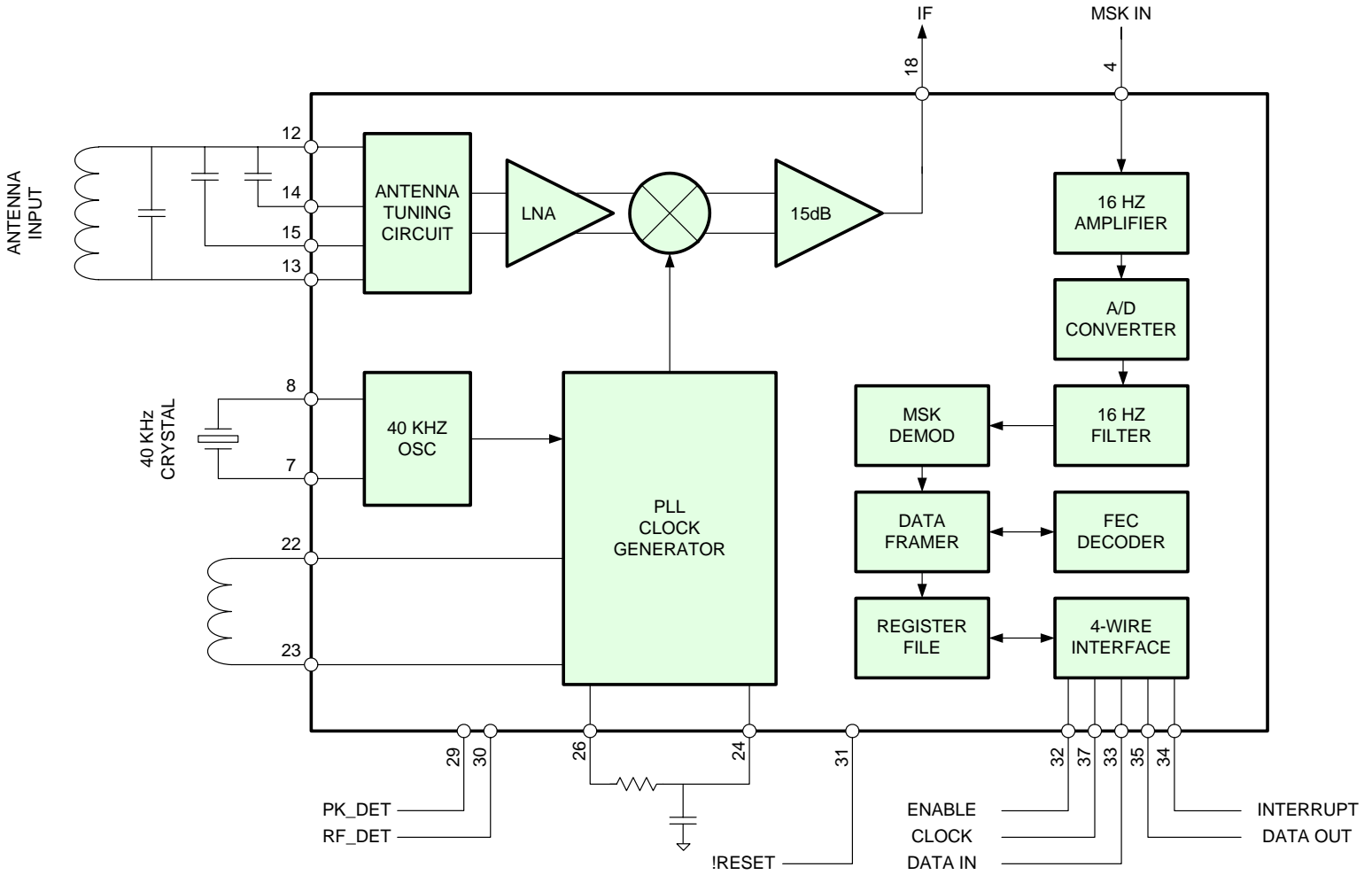


READYTRACE

Phone: 909-631-2965
E-mail: info@readytrace.com
www.readytrace.com

ReadyTrace, Inc.
14175 Telephone Ave.
Suite L
Chino, CA 91710

RT-0707 BLOCK DIAGRAM



SPECIFICATIONS	
Supply Voltage	2.7 to 3.3 Volts
Standby Power	10 μ A
Receive Power	2 mA
Terminal Sensitivity	10 μ V
Outputs	40 mA CMOS
Crystal	40 KHz
Package	QFN 40
Temp Range	0 to 70 C
Antenna	0.4mm X 20mm Ferrite Rod
IF Filter	60 dB Ceramic Channel Filter